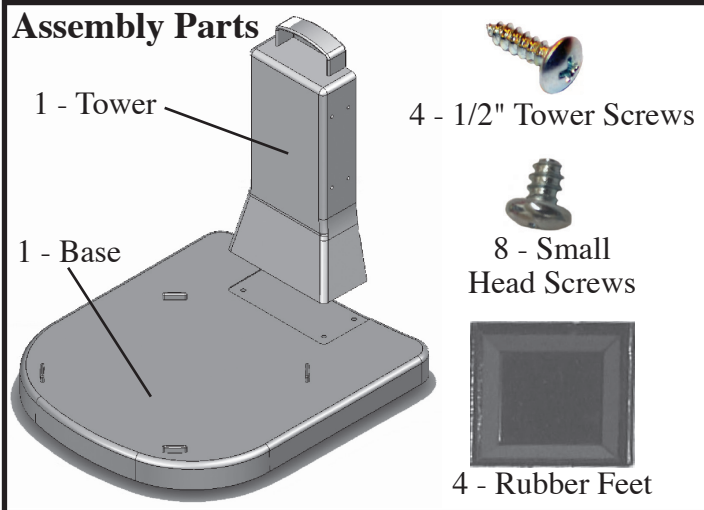


Cat/Small Animal Stand Assembly Instructions

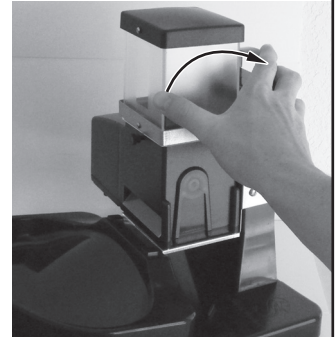
Available separately or with combos

Note: Hardware bag shipped on back of tower

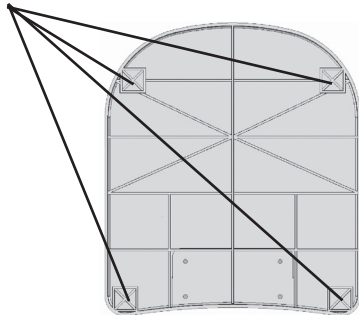


Bowl Placement

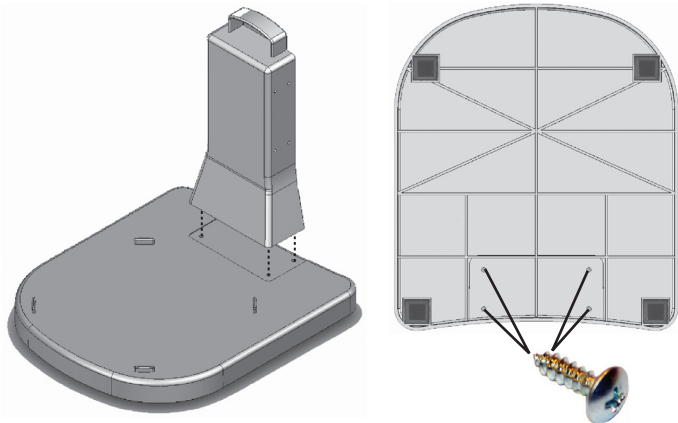
A: Gently squeeze the top portion of the feeder and tower so that the feeder will raise slightly.



Step 1: Attach 4 rubber feet in designated areas.

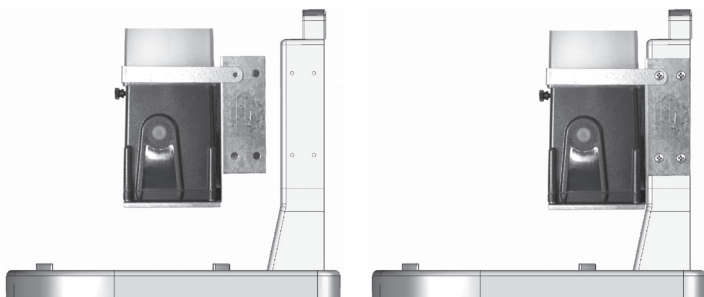


Step 2: Use the 4 - 1/2" tower screws to attach the tower to the base from the bottom.



Recommended placement of feeder is on hard surface backed up to wall or next to walls in a corner.

Step 3: Attach feeder, bracket and strap assembly to tower with 8 Small head screws (4 on each side).



B: Slide the top bowl tabs between and under the bracket.



C: Slide the bowl up against the two back tabs that are on the stand.



D: Press down on the bowl to press fit the two front tabs on the stand with the pins on the front bottom of the bowl.

